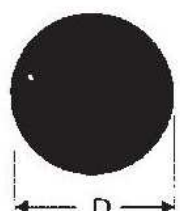


TONDI E QUADRI



TONDI
UNI 6012

QUADRI
UNI 6013



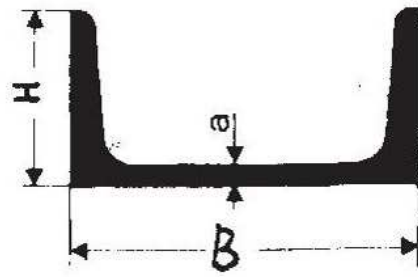
Diametro o lato mm	Peso kg/m	
	Tondo	Quadro
5	0,154	0,196
6	0,222	0,283
7	0,302	0,385
8	0,395	0,502
9	0,499	0,636
10	0,617	0,785
11	0,746	0,950
12	0,888	1,130
13	1,042	1,327
14	1,208	1,540
15	1,387	1,766
16	1,578	2,010
17	1,728	2,270
18	2,000	2,543
19	2,230	2,834
20	2,466	3,140
21	2,720	3,462
22	2,984	3,800
23	3,261	4,153
24	3,551	4,522
25	3,853	4,908
26	4,170	5,307
27	4,495	5,723
28	4,834	6,154
29	5,185	6,602

Diametro o lato mm	Peso kg/m	
	Tondo	Quadro
30	5,550	7,070
32	6,313	8,040
33	6,710	—
34	7,130	9,075
35	7,550	9,620
36	7,990	10,174
37	8,440	—
38	8,903	11,335
39	9,380	—
40	9,865	12,600
42	10,876	13,847
43	11,400	—
45	12,500	15,900
46	13,046	16,611
47	13,600	—
48	14,205	18,086
50	15,414	19,625
52	16,671	21,226
53	17,300	22,100
55	18,700	23,700
56	19,335	24,618
58	20,740	26,407
60	22,195	28,300
63	24,500	31,200
65	26,000	33,200

Diametro o lato mm	Peso kg/m	
	Tondo	Quadro
68	28,509	36,300
70	30,210	38,500
73	32,900	41,800
75	34,700	44,200
78	37,510	47,800
80	39,500	50,240
83	42,500	—
85	44,500	56,716
88	47,700	—
90	49,940	63,600
93	53,300	—
95	55,643	70,900
100	61,700	78,500
105	68,000	84,546
110	74,601	95,000
115	81,537	104,000
120	88,800	113,040
125	96,334	123,000
130	104,195	133,000
140	120,842	154,000
150	138,722	177,000
160	158,000	201,000
170	178,180	227,000
180	200,000	254,340
200	246,616	314,000

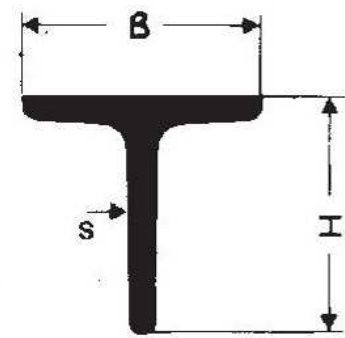
FERRI A U

PROFILI NORMALI



FERRI A T

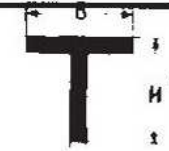
SPIGOLI TONDI



Dimens.		Spess. anima	Momento resist.	Peso a ml.
B	H			
30	33	5	4,3	4,27
40	35	5	7,1	4,87
50	38	5	10,5	5,59
65	42	5,5	17,7	7,09
80	45	6	25,5	8,64
100	50	6	41,1	10,60
120	55	7	50,7	13,35
140	60	7	86,4	16,01
160	65	7,5	115	18,84
180	70	8	150	21,98
200	75	8,5	191	25,28
220	80	9	245	29,36
240	85	9,5	300	33,21
260	90	10	371	37,92
280	95	10	448	41,84
300	100	10	535	46,16

L A T I		Sp. mm.	Peso a ml.
B	H		
45	45	5,3	3,37
50	50	6	4,44
60	60	7	6,28
70	70	8	8,32
80	80	9	10,70
90	90	10	13,40
100	100	11	16,40

SPIGOLI VIVI



L A T I		Sp. mm.	Peso a ml.
B	H		
15	15	3	0,32
20	20	4	1,13
25	25	4,5	1,61
30	30	5	2,16
30	30	5,5	2,35
35	35	5,5	2,79
35	35	6	3,01
40	40	6	3,48
40	40	6,5	3,75
45	45	6,5	4,26
45	45	7	4,56
50	50	7	5,11
60	60	7	6,21
60	60	8	7,03
70	70	9	9,26
80	80	10	11,75
90	90	10	13,03
100	100	11	16,30

FERRI A U PROFILI SPECIALI

Dimens.		Spess. anima	Peso a ml.
B	H		
25	12	4	1,30
30	15	5	1,98
35	17	5,5	2,52
40	20	6	3,23
50	25	6	4,15
60	30	6,5	5,45